

# niftylift

# rentit 120T



(A) 12.2m  
40ft



(B) 10.2m  
33ft 6in



(C) 6.1m  
20ft



200kg  
440lbs



1.1m x 0.65m  
3ft 7in x 2ft 2in



(D) 1.9m  
6ft 3in



(E) 1.1m  
3ft 7in



(F) 1.5m  
4ft 11in



(G) 3.55m  
11ft 8in



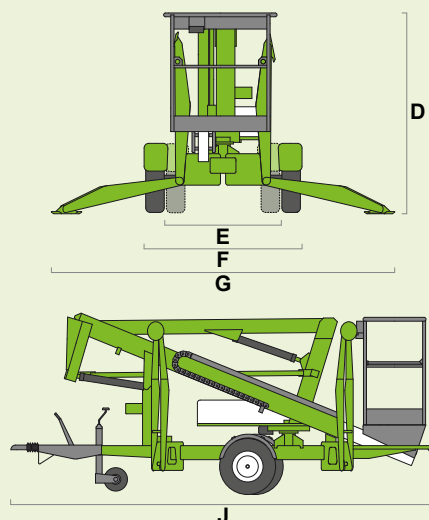
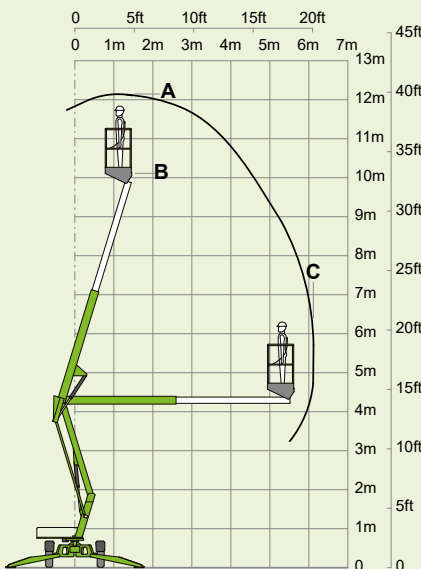
(J) 4.5m  
14ft 9in



1400kg  
3100lbs



11%  
6°



## niftylift

Chalkdell Drive, Shenley Wood,  
Milton Keynes, MK5 6GF  
England, United Kingdom  
+44 1908 223456  
sales@niftylift.com  
www.niftylift.com

 nqa. ISO 9001 QUALITY MANAGEMENT	 nqa. ISO 14001 ENVIRONMENTAL MANAGEMENT	 nqa. ISO 45001 HEALTH & SAFETY MANAGEMENT
--	---	---



Bi-Energy

